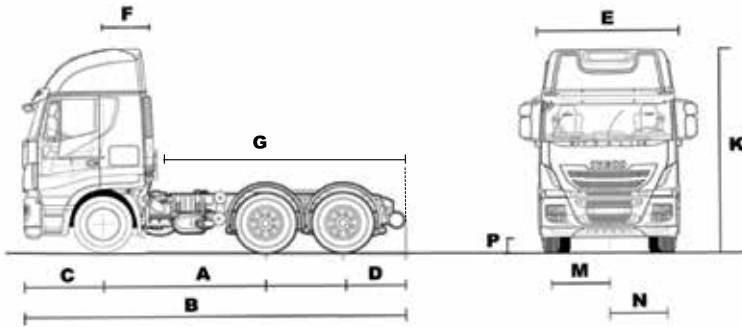
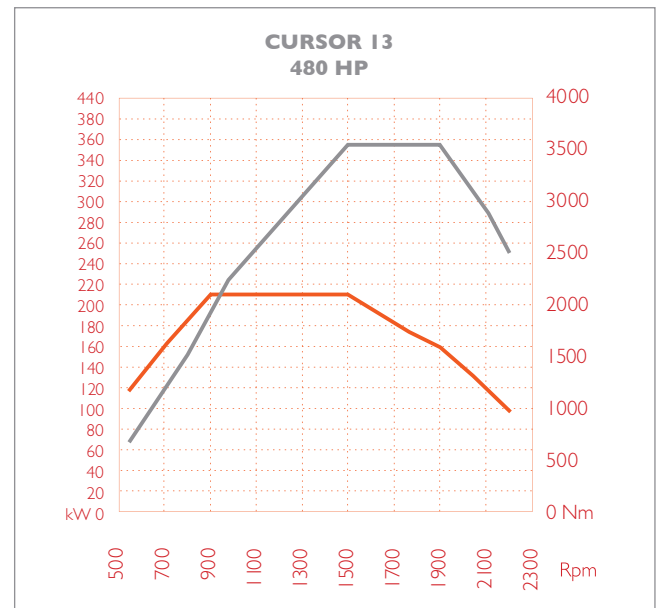


STRALIS HI-WAY

AS750S48TZ/P HM TRACTOR 6X4



DIMENSIONS (mm)		
A	Wheelbase Tandem	3200 1395
B	Overall length over bumpers	6815
C	Front overhang	1410
D	Rear overhang	778
E	Cab width	2550
F	Cab gap (Sleeper)	940
G	Back of cab to end of frame (Sleeper)	3908
K	Cab height (unladen)	3822
L	Frame height at rear axle Frame thickness Turning circle (wall to wall)	1040 7,7 15980
M	Front track	2040
N	Rear track	1820
P	Ground clearance (front) Ground clearance (back)	230 240



PLATED WEIGHTS (Kg)	
GVM	25700
GCM	56000
1st axle	7700
2nd axle	9000
3rd axle	9000

DESIGN WEIGHTS (Kg)	
GVM	26000
GCM	85000
1st axle	8000
2nd axle	10500
3rd axle	10500

KERB WEIGHTS (Kg)	
Front axle	4890
Second axle	3650
Total	8540

ENGINE	
Type	IVECO Cursor 13 F3BEE681E*B
Turbocharger	Variable Geometry Turbine
Cylinders in line	6
Bore (mm)	135
Stroke (mm)	150
Capacity (litres)	12,88
Max power (HP/kW)	480/354
@ rpm	1540-1900
Max torque (Nm/mKg)	2200/224
@rpm	1000-1540
EEC emissions regulation	Euro 3
Cooling fan	Electro-magnetic
Fuel system	Unit injector system
Speed limiter	90km/h
Cruise control	Diver programmable
Air admission/Filter type	Rear cab snorkel/dry - Horizontal

IVECO

STRALIS HI-WAY AS750S48TZ/P HM TRACTOR 6X4

GEARBOX

Type	Eurotronic 12AS2330TD					
1st	15.86	2nd	12.33	3rd	9.57	
4th	7.44	5th	5.87	6th	4.57	
7th	3.47	8th	2.70	9th	2.10	
10th	1.63	11th	1.29	12th	1.00	
Rev 1	14.6	Rev 2	11.4			

PERFORMANCE

Type	ZF 12 AS 2330 TD	
	Std	
Axle ratios available	3.09	3.40
Geared speed (km/h)	121	110
Gradeability % @ 26t GVM	96	100
Gradeability % @ 40t GCM	50	57

CLUTCH

Type	Single plate, diaphragm spring, pull type
Diameter (mm)	(17") 430mm

BRAKES

Type	2 independent pneumatic circuits
Service	EBS + ABS
Front axle	Ventilated discs, 432mm Friction area 784cm ²
Rear axles	Ventilated discs, 432mm Friction area 784cm ²
Parking	Mechanical with spring cylinder, drive axle
Emergency	Combined with parking brake
Air reservoirs	3 x 20 litres, aluminium
Engine - IVECO Turbo Brake	Decompression. Power: 250kWh @2400 rpm
Air compressor	352cc - single cylinder
Heated air dryer	Air Processing Unit
Trailer connections	15 pin plug as alternative 7+7 pin

STEERING

Type	ZF 8098. Power assisted
Steering wheel diameter	510mm

TYRES AND WHEELS

Tyre dimensions (front)	385/65 R22.5
Tyre dimensions (rear)	315/80 R22.5
Wheel dimensions (front)	22.5 x 1100
Wheel dimensions (rear)	22.5 x 9.00

ELECTRICS

Tension	24v negative earth return
Alternator	28v, 90A
Starter	24v, 5.5kW
Batteries	2 x 12v, 220 Ah
Circuits protected	By fuse
System	Multiplex - CAN line data bus

SUSPENSIONS

Front	Parabolic, 2 leaves
Rear	Pneumatic, 8 air bellows (ECAS)
Shock absorbers	2 on front, 4 on rear

AXLES

Steering with single wheels	IVECO 5876. Rigid
Drive with twin wheels	MT23-155/2D. Single reduction
Differential lock	Cross axle
Rear axle ratio	See Performances

FUEL TANK

Type and capacity	600 lt, aluminium with lockable fuel cap
-------------------	--

CHASSIS

Type	Ladder construction. Pressed steel side members and riveted and bolted cross members
Side member length (mm)	304.4
Flange width (mm)	80

CAB INTERIOR

Active Space

Heated air suspended 3-way adjustable driver's seat with pneumatic adjustable lumbar support, and inertia reel belt. Soft feel dashboard and multi-functional steering wheel incorporating touch button menu controls for the real time digital display. Heater with 4-speed fan for airflow up to 600m³/hr, 12kW output. Slide out cool box. Adjustable steering column, 2 column mounted control stalks, left stalk operating the indicators, main beam, windscreen wash wipe, right stalk operating Eurotronic gear change (if provided), engine brake, cruise control and variable speed limiter. Left of the steering column is the console mounted gearbox controls for semi-automatic modes, neutral, reverse and low speed manoeuvring mode, if provided. Overhead console for CB radio. Digital tachograph. Two centrally mounted spot lamps, side courtesy/night time driving lights, one map reading light. Electrically operated roof vent. Standard three piece lower bunk incorporating a seating area, comfort seat, inertia reel belt, fold away central table. Electric operated windscreen blind. Curtains to enclose the entire cab area.

CAB EXTERIOR

Active Space

Forward control sleeper cab. Galvanised pressed steel construction with SMC for vulnerable parts. New design 4 bellow air suspension and dampers. Electrical Hydraulic cab tilt to 60deg. Tinted electric door windows and tinted heated laminated screen. External sun visor. Heated rear-view mirrors, plus kerb, wide-angle mirrors and front view mirror according to 2003/97/EC. Remote controlled central locking. Colour coded bumper. Left (standard) and right (optional) hand external under cab stowage. Left and right hand upper external stowage for tools.

IVECO

WWW.IVECO.CO.ZA